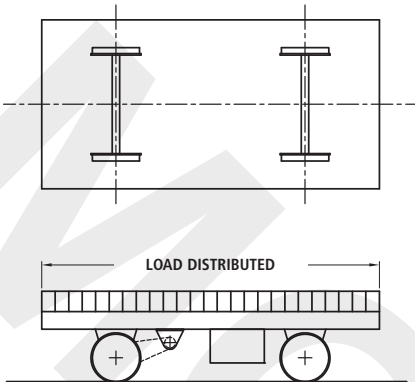


CAPACITY LOADS UP TO 500 t

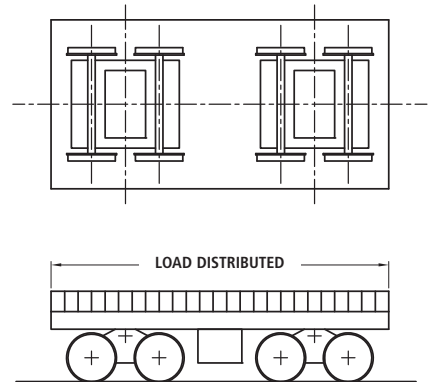
SERIES SBA/4R e SBR/4R

Capacity loads and dimensions on request



SERIES SBA/8R e SBR/8R

Capacity loads and dimensions on request

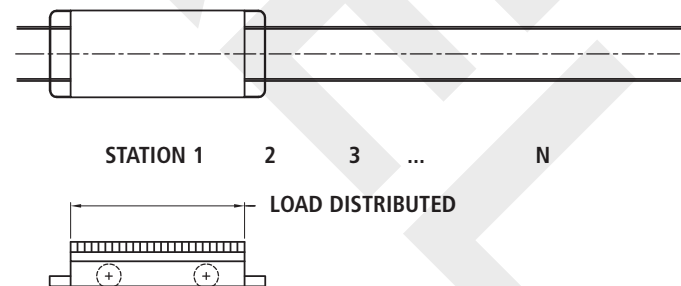


SERIES SBA e SBR Automatic

Industrial trailers **Self-propelled trailer on rail at self-acting handling** allow concrete exercise economics consequent to the full and continual employ without the operator intervention during translation.

Established by two to n load or unload stations, from anyone of these, the trailer can be forwarded to another one of the others with the only button pushing, or by means of a radio control.

This trailers series allows a great flexibility in all manufacturing sectors.



RAILS FOR SELF-PROPELLED TRAILERS ON RAIL

Capacity load, gauge, length on request

